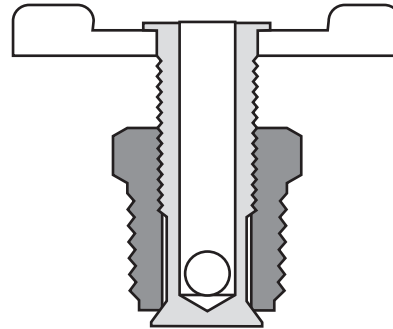
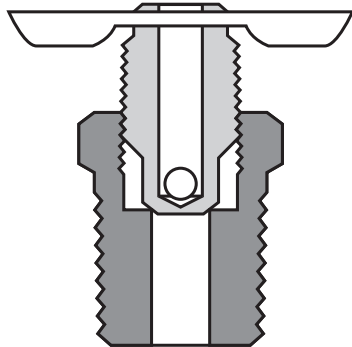


Drain Cocks



MATERIALS:

CA360

WORKING PRESSURE:

150 PSI Maximum based on tube size.
ALWAYS consult tubing specifications.

TEMPERATURE RANGE:

-65 to +250°F
-54 to +121°C

CONFORMANCE:

ALWAYS consult hose and/or tubing specifications for media compatibility, pressure and temperature ratings.

APPLICATIONS:

Used in low pressure air and water for automotive and industrial applications that are plumbed with copper, thermoplastic, steel and aluminum tubing.

NOT INTENDED FOR LP GAS OR NATURAL GAS.

HOW TO ORDER:

- Order by part number.
- Some items available on Special Order basis only.

BENEFIT:

- Reduces leakage to improve system reliability.
- Eliminate handle breakage.

FEATURE:

- Metal to metal internal seat.
- Pin handle.

ADVANTAGE:

- Positive seal.
- Improved reliability.