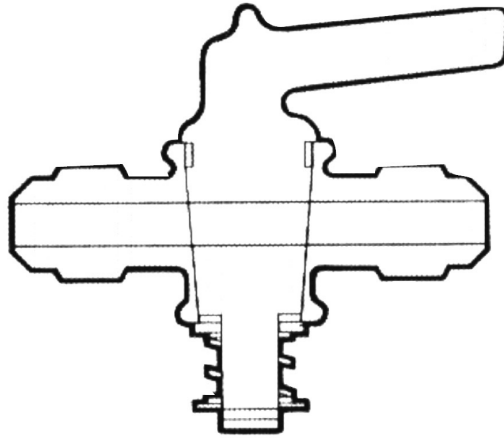


Ground Plug Valves



MATERIALS:

CA377 forged bodies.
Handles are integral part of plug.

WORKING PRESSURE:

30 PSI Maximum based on tube size.
ALWAYS consult tubing specifications.

TEMPERATURE RANGE:

-40 to +250°F
-40 to +121°C

CONFORMANCE:

ALWAYS consult hose and/or tubing specifications for media compatibility, pressure and temperature ratings.

APPLICATIONS:

Used for air supply lines and water processing systems plumbed with copper, thermoplastic, and aluminum tubing.

HOW TO ORDER:

- Order by part number.
- Compression valves are supplied with nuts, and sleeves.
- Some items available on Special Order basis only.

BENEFIT:

- Reduces maintenance costs and unsightly leaks.

FEATURE:

- Lapped brass body and plug.

ADVANTAGE:

- Results in high quality, low friction valve.