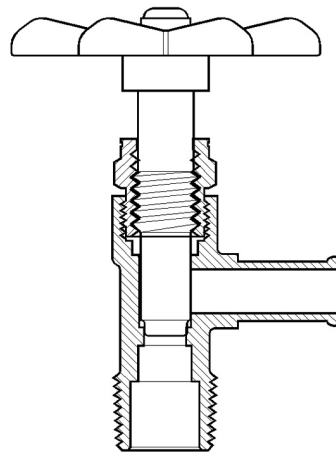
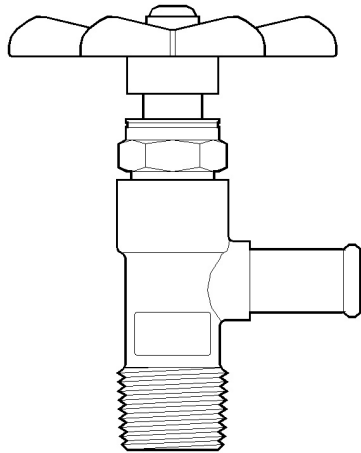


Hose & Truck Valves



MATERIALS:

CA377 forged bodies.
Handles are integral part of plug.

WORKING PRESSURE:

200 PSI Maximum based on tube size.
ALWAYS consult tubing specifications.

TEMPERATURE RANGE:

-40 to +250°F
-40 to +121°C

CONFORMANCE:

ALWAYS consult hose and/or tubing specifications for media compatibility, pressure and temperature ratings.

APPLICATIONS:

Used in fuel lines, cooling applications, and air systems in the trucking industry. Recommended for gasoline, oil, LP Gas, and kerosene applications.

HOW TO ORDER:

- Order by part number.
- Some items available on Special Order basis only.

BENEFIT:

- Reduced maintenance costs.
- Increased efficiencies

FEATURE:

- Metal to metal internal seat.
- O-Ring sealed.
- Full Flow.

ADVANTAGE:

- Durable Operation.
- Never needs repacking.