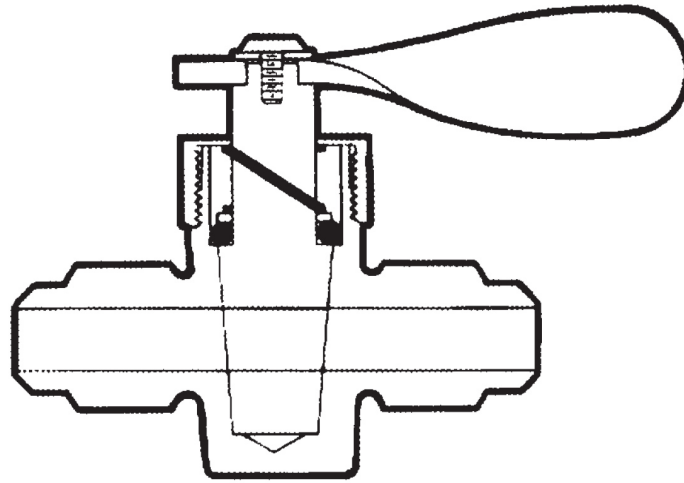


## Special Duty Valves



### MATERIALS:

- CA377 forged bodies.
- Solid bottom, spring loaded top.
- CAD plated carbon steel handles.
- Packed with non-drying synthetic grease.
- Neoprene O-Ring seal.

### WORKING PRESSURE:

30 PSI Maximum based on tube size.  
ALWAYS consult tubing specifications.

### TEMPERATURE RANGE:

-40 to +250°F  
-40 to +121°C

### CONFORMANCE:

ALWAYS consult hose and/or tubing specifications for media compatibility, pressure and temperature ratings.

### APPLICATIONS:

Used for fuel oil, water, gas, air and LP gas lines that are plumbed with copper, thermoplastic, steel and aluminum tubing.

### HOW TO ORDER:

- Order by part number.
- Compression valves are supplied with nuts, and sleeves.
- Some items available on Special Order basis only.

### BENEFIT:

- Reduces maintenance costs.
- Safe transfer of recommended fluids.
- Leak free operation

### FEATURE:

- Neoprene O-Ring Seal.
- Solid body construction.
- Lapped brass body and plug.

### ADVANTAGE:

- Leak free operation.
- Built in durability.
- High quality, low friction valve.